

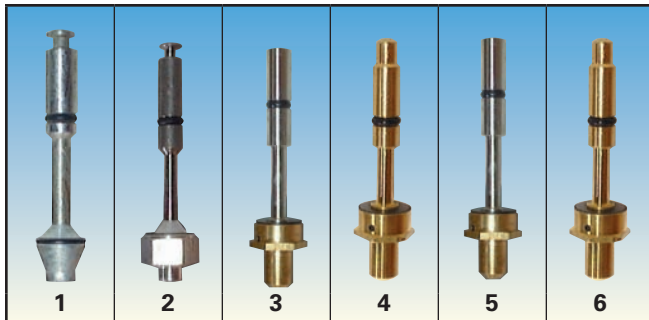
Fire Extinguisher Valve Stems – Canadian Labeled



▲ DRY CHEMICAL EXTINGUISHER VALVE STEMS

#	Part #	Description
1	161427DS	Diamond Strike Valve Stem (Pre-1988)
2	161428DS	Diamond Strike Valve Stem (1988 & Up)
3	110427DS	Diamond Strike Valve Stem
4	11130FG	Flag Valve Stem
5	10990FG	Flag Valve Stem

#	Part #	Description
6	552143FG	Flag Valve Stem
7	552144FG	Flag Valve Stem
8	429009FG	Flag Valve Stem
9	103215BU	First Canadian Valve Stem
10	12141PY	Pyrene Valve Stem (Pre-1996)
11	440068PY	Pyrene Valve Stem (New)
12	19010BA	Pyrene Valve Stem

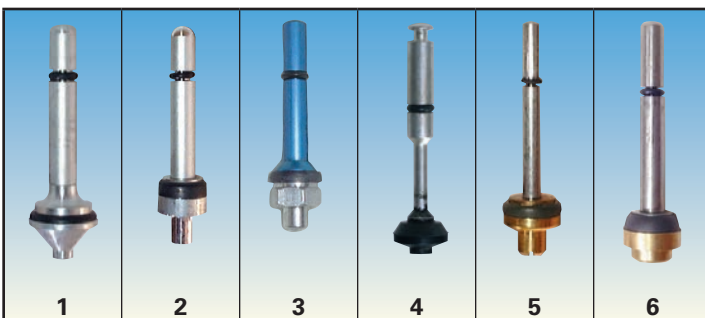


◀ CARBON DIOXIDE EXTINGUISHER VALVE STEMS

#	Part #	Description
1	11400FG	Flag Valve Stem
2	11720FG	Flag Valve Stem
3	900321BU	First Canadian Valve Stem

#	Part #	Description
4	P5970A21SR	Superior/Sigma Valve Stem (PSH) Superior
5	20981BA	Pyrene Valve Stem (New)
6	0108RS	Steel (PSH) RS, Ansul Diamond Valve Stem

▼ PRESSURIZED WATER EXTINGUISHER VALVE STEMS



#	Part #	Description
1	161427DS	Diamond Strike Valve Stem (Pre-1988)
2	161428DS	Diamond Strike Valve Stem (1988 & Up)
3	10990FG	Flag Valve Stem
4	552144FG	Flag Valve Stem
5	12141PY	Pyrene Valve Stem (Pre-1996)
6	12426BA	Pyrene Valve Stem (New)

Charge It!



Phone: **1-905-791-3102** • Fax: **1-905-791-2191**
1-800-268-0146 **1-800-565-3526**