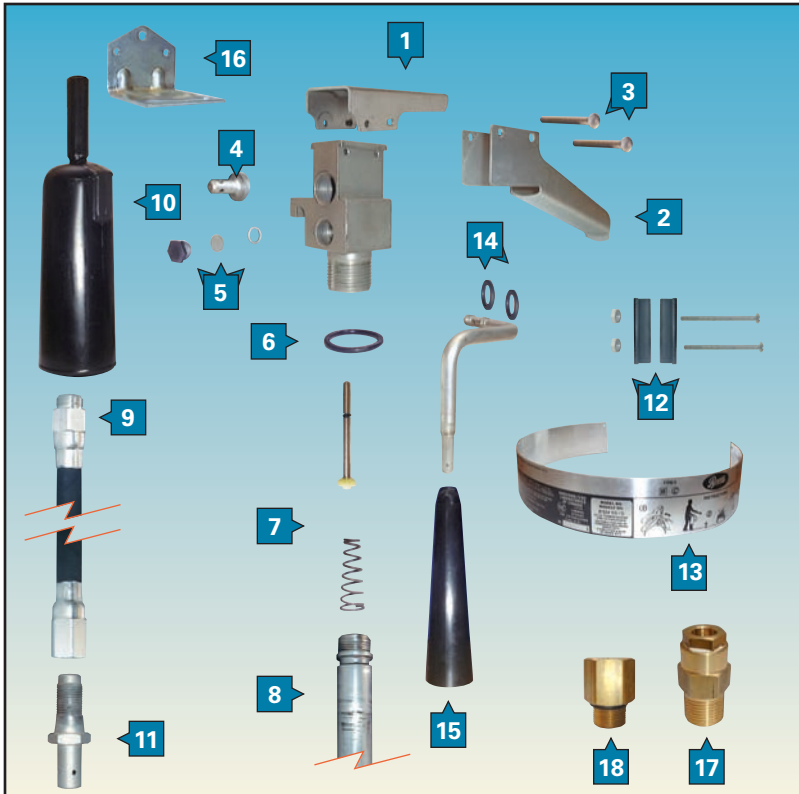


5 – 15 lb. Aluminum Carbon Dioxide – “Old Style”

PSA 5-3, PSA 5-4, PSH 10P-3, PSH 10P-4, PSH 15P-3, PSH 15P-4

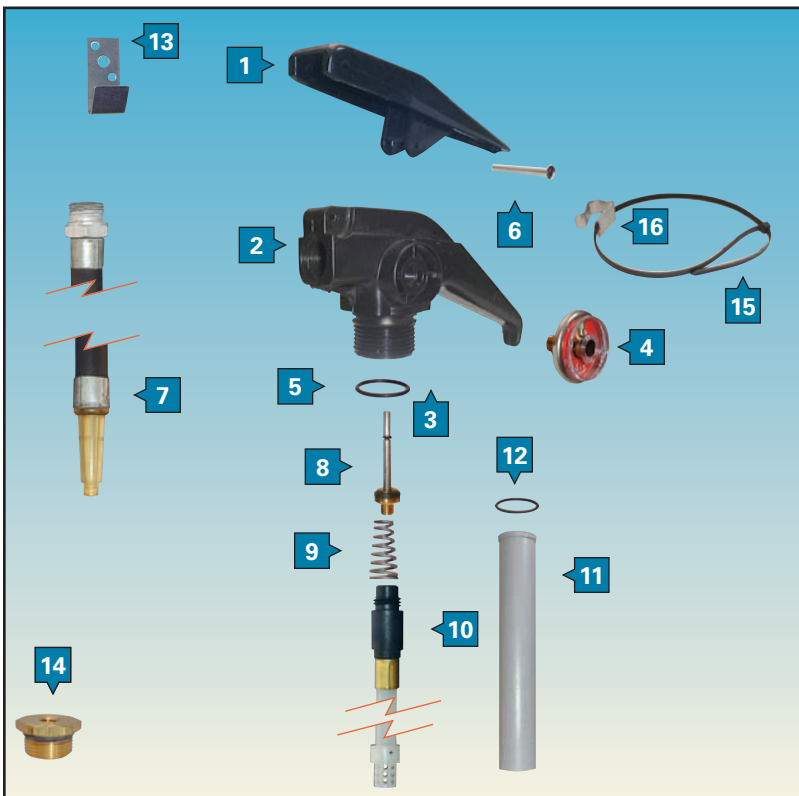


#	Part#	Description
1	13902PY	Lever
2	13903PY	Handle
3	12664PY	Lever & Handle Rivet
4	12828PY	Diffusion Tip
5	10416PY	Safety Disc, Gasket & Nut
6	12721PY	Collar O-Ring
7	12668PY	Spring
8	13012PY	Syphon Tube, PSH 10-4
8	12838PY	Syphon Tube, PSH 15-3
8	12818PY	Syphon Tube, 5-3
9	12831PY	Hose
10	12830PY	Horn
11	12832PY	Diffuser
12	12853PY	Horn Clamp Set
13	13811PY	Band PSH 10-4
13	13812PY	Band PSH 15-2
14	10867PY	Swivel Tube O-Ring
15	12821PY	Horn 5-3, 5-4
16	12842PY	Wall Hanger, 5-3, 5-4
16	12704PY	Wall Hanger, 10 – 15 lb.
17	CO16H	Recharge Adapter, 5 lb.
n/s	100-590	Recharge Adapter, 10 – 15 lb.
18	37H	Hydro Test Adapter, 5 – 15 lb.

Model #	Description
PSA 5-3	5 lb. CO ²
PSA 5-4	5 lb. CO ²
PSH 10P-3	10 lb. CO ²
PSH 10P-4	10 lb. CO ²
PSH 15P-3	15 lb. CO ²
PSH 15P-4	15 lb. CO ²

2½ Gallon Water – “Old Style”

HW16P-2, HW-16P



#	Part#	Description
1	12152PY	Lever
2	12168PY	Valve Body & Handle
3	12468PY	Gauge O-Ring
4	WTP100	Gauge w/O-Ring
5	12667PY	Collar O-Ring
6	12158PY	Lever Rivet Only
7	12713PY	Hose & Nozzle Assembly
8	12141PY	Valve Stem Assembly
9	12157PY	Spring
10	12715PY	Syphon Tube Assembly
11	12716PY	Overfill Tube, HW16P-2
12	12154PY	Syphon Tube O-Ring
13	3102IND	Wall Hanger
n/s	CI1	Corrosion Inhibitor
14	9HL	Hydro Test Adapter
15	STRAP1	32” Band Strap
16	HCLIP	Hose Clip
n/s	11464PY	Roll Pin
n/s	11435PY	Strainer

Charge It!



Phone: 1-905-791-3102 • Fax: 1-905-791-2191
1-800-268-0146 1-800-565-3526



Pyrene/Chubb

2½ – 6 lb. Dry Chemical – “Old Style”

ABC2½P-2, ABC2½P-4, ABC2½P-5, ABC2½P-6, ABC5P-2, ABC5P-3, ABC5P-4, ABC5P-5, ABC5PH-2, ABC5PH-4, ABC5PH-5, ABC6P, ABC6PH, PDC2¾P-2, PDC2¾P-4, PDC6P, PDC6P-3, PDC6PH



Extinguisher Component Parts

#	Part#	Description
1	12278PY	Lever
2	12279PY	Handle
3	12321PY	Handle & Lever Rivet (2 required)
4	DT195	Gauge — 195 PSI
4	DT235	Gauge — 235 PSI
5	12141PY	Valve Stem Assembly
6	12308PY	Spring
7	12620PY	Syphon Tube PDC2¾P-2, ABC2½PS, ABC2½P-5
7	12290PY	Syphon Tube PDC2¾P, ABC2½P, ABC2½P-2
7	12360PY	Syphon Tube All 5 & 6 lb. Models P & P2, ABC5P-3, PDC6P-3
7	13370PY	Syphon Tube ABC5P-4, ABC5P-5
8	13144PY	Nozzle PDC2¾P-4, ABC5P-5, ABC2½P-4, ABC2½P-5
8	13530PY	Nozzle 2 lb.

#	Part#	Description
8	13916PY	Nozzle ABC 2½P-6
9	12301PY	Collar O-Ring
10	13766PY	Hose Assembly P-5
11	13060PY	Valve Body
12	12958PY	Wall Hanger 5 lb.
13	13780PY	Vehicle Bracket 5 – 6 lb. w/ Hose Clip for P-2, PH-2, 6PH
n/s	14024PY	OEM Mylar Label 5 lb. BC
n/s	13922PY	OEM Mylar Label 2½ lb. ABC
n/s	13551PY	OEM Mylar Label 2 lb. ABC
n/s	14023PY	OEM Mylar Label 5 lb. ABC
14	35A	Recharge Adapter
15	20HL	Hydro Test Adapter
16	13508PY	Hose Strap, 5lb. P-3, P-4, P-5



Model #	Description	Model #	Description
ABC2½P-2	2½ lb. ABC D/C	ABC5P-3	5 lb. ABC D/C
ABC2½P-4	2½ lb. ABC D/C	ABC5P-4	5 lb. ABC D/C
ABC2½P-5	2½ lb. ABC D/C	ABC5P-5	5 lb. ABC D/C
ABC2½P-6	2½ lb. ABC D/C	ABC5PH-2	5 lb. ABC D/C
ABC5P-2	5 lb. ABC D/C	ABC5PH-4	5 lb. ABC D/C

Model #	Description	Model #	Description
ABC5PH-5	5 lb. ABC D/C	PDC6P	6 lb. BC D/C
ABC6P	6 lb. ABC D/C	PDC6P-3	6 lb. BC D/C
ABC6PH	6 lb. ABC D/C	PDC6PH	6 lb. BC D/C
PDC2¾P-2	2¾ lb. BC D/C		
PDC2¾P-4	2¾ lb. BC D/C		

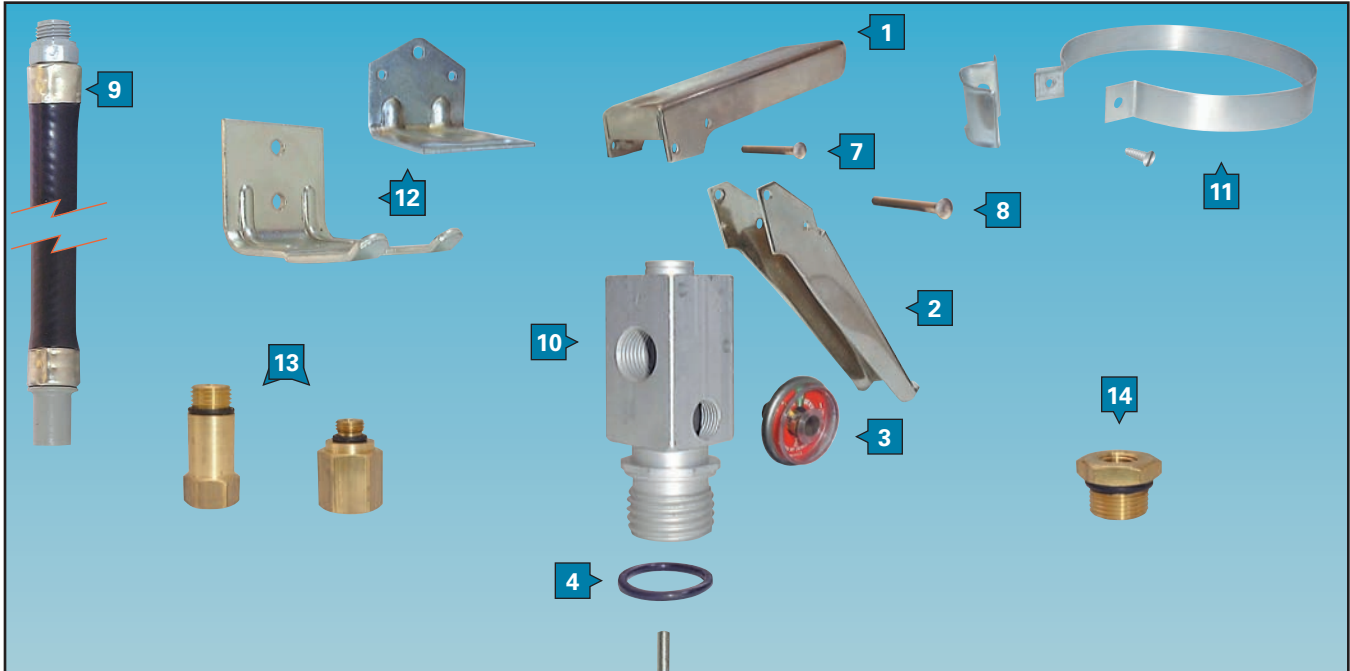
Charge It!



Phone: 1-905-791-3102 • Fax: 1-905-791-2191
1-800-268-0146 1-800-565-3526

10 – 20 lb. Dry Chemical – “Old Style”

PDC10P-2, PDC20P-2, ABC10P-2, ABC20P-2, PK10P-2, PK20P-2, M357ABC, M357K, M457ABC, M457K, PDC10P-3, PDC20P-3, ABC10P-3, ABC20P-3, PDC10P-3, PDC20P-4, ABC10P-4, ABC20P-4



#	Part #	Description
1	13101PY	Lever P-3, P-4 Models
2	13102PY	Handle P-3, P-4 Models
3	DT195	Gauge - 195PSI
4	2301P	Collar O-Ring, P-3, P-4 Models
5	2141P	Valve Stem Assembly P-3, P-4 Models
6	2308P	Spring, P-3, P-4 Models
7	2158P	Lever Rivet Only P-3, P-4 Models
8	12321PY	Handle Rivet Only P-3, P-4 Models
9	2689P	Hose & Nozzle Assembly PDC10P-2, ABC10P-2
9	4018P	Hose & Nozzle Assembly M357K
9	3890P	Hose & Nozzle Assembly M457ABC
9	4016P	Hose & Nozzle Assembly M457K
9	3774P	Hose & Nozzle Assembly ABC10P-3
9	3076P	Hose & Nozzle Assembly PDC10P-3
9	3109P	Hose & Nozzle Assembly ABC20P-3, PDC20P-3
10	3060P	Valve Body P-3, P-4 Models



#	Part #	Description
11	13030PY	Hose Strap Kit, 10 lb. P-2, P-3, P-4 Models
11	13032PY	Hose Strap Kit 20 lb. P-2, P3, P4 Models
12	12676PY	Wall Hanger 10 lb. P-2 Models
12	12704PY	Wall Hanger 20 lb. P-2 Models
12	13352PY	Wall Hanger 10 lb. P-3, P-4 Models
12	13358PY	Wall Hanger 20 lb. P-3, P-4 Models
n/s	13952PY	OEM Mylar Label, PDC20P-2
n/s	13951PY	OEM Mylar Label, PDC10P-2
n/s	13947PY	OEM Mylar Label, PK10P-2
n/s	13952PY	OEM Mylar Label PDC20P-3, PDC20P-4
n/s	13954PY	OEM Mylar Label PDC10P-3, PDC10P-4
13	21A	Recharge Adapter P-2 Models
13	23A	Recharge Adapter,
14	9HL	Hydro Test Adapter P-2 Models M357ABC, M357K, M457ABC, M457K
14	20HL	Hydro Test Adapter P-3, P-4 Models

Extinguisher Component Parts

Charge It!



Phone: 1-905-791-3102 • Fax: 1-905-791-2191
1-800-268-0146 1-800-565-3526

95

Model #	Description
PDC10P-3	10 lb. BC
PDC20P-3	20 lb. BC
ABC10P-3	10 lb. ABC
ABC20P-3	20 lb. ABC
PDC10P-4	10 lb. BC
PDC20P-4	20 lb. BC
ABC10P-4	10 lb. ABC
ABC20P-4	20 lb. ABC