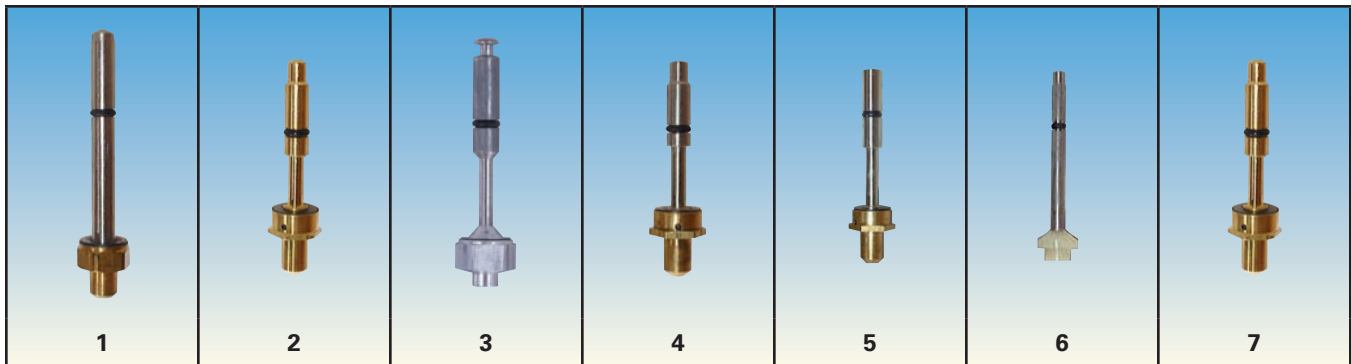


**▲ WATER, FOAM, WET
CHEMICAL EXTINGUISHER
VALVE STEMS**

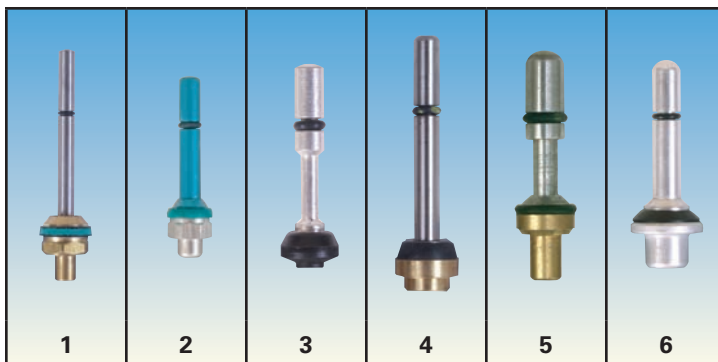
#	Part #	Description
1	6093AX	Amerex Valve Stem
2	14878AX	Amerex Valve Stem
3	552144FG	Ansul/Flag Valve Stem
4	429099FG	Ansul/Flag Valve Stem
5	12426BA	Badger Valve Stem
6	900921BU	Buckeye Valve Stem
7	109098FFT	Fyr-Fyter Valve Stem



▲ CARBON DIOXIDE EXTINGUISHER VALVE STEMS

#	Part #	Description
1	1539AX	Amerex Valve Stem
2	418682AS	Ansul Valve Stem
3	429154FG	Ansul/Flag Valve Stem

#	Part #	Description
4	05558BA	Badger Valve Stem
5	20981BA	Badger Valve Stem
6	900321BU	Buckeye Valve Stem
7	P5970A21	Superior/Sigma Valve Stem



**◀ HALOTRON I EXTINGUISHER
VALVE STEMS**

#	Part #	Description
1	13288AX	Amerex Valve Stem
2	14327AX	Amerex Valve Stem
3	429099FG	Ansul/Flag Valve Stem: FE36
4	23086BA	Badger Valve Stem
5	23355BA	Badger Valve Stem
6	103216BU	Buckeye Valve Stem